

DWG NO. 250-CT-MN  
SHEET 1  
REV A

**SPECIFICATIONS:**

POWER: 250 WATTS CW

- WHEN MOUNTED TO A HEAT SINK  
CAPABLE OF MAINTAINING A CASE  
TEMPERATURE AT OR BELOW 100°C

FREQUENCY RANGE AND VSWR:

DC TO 1 GHz AT 1.15:1 MAX.

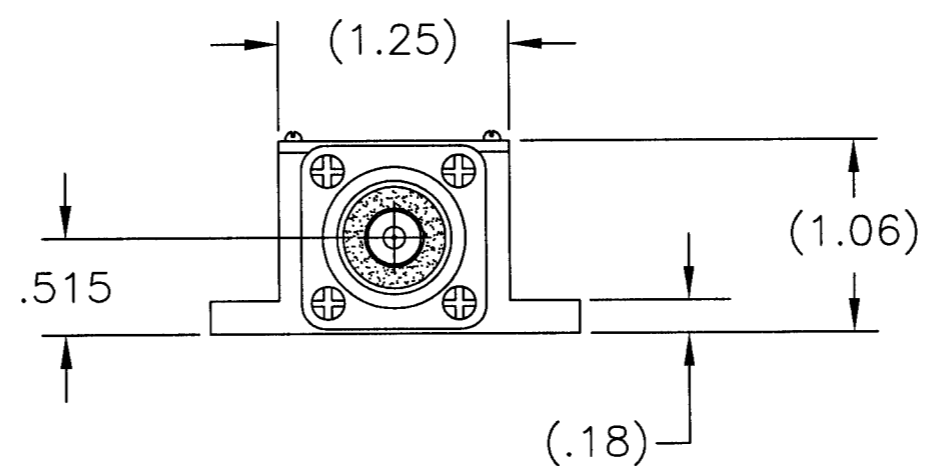
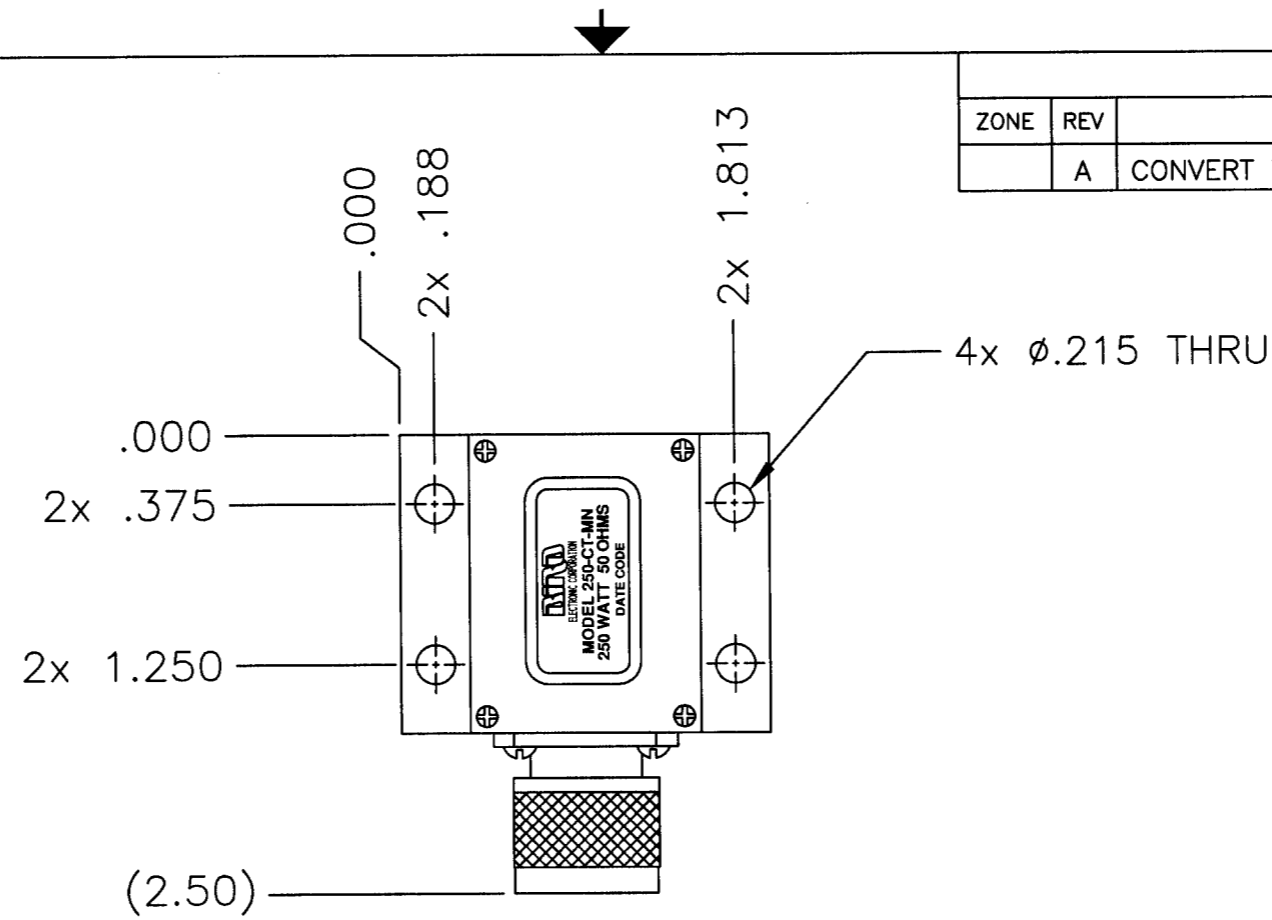
1 GHz TO 2.4 GHz AT 1.25:1 MAX.

CONNECTOR: N-TYPE MALE

FINISH: BODY-SILVER OR TRI-ALLOY PLATED

CONNECTOR: TRI-ALLOY PLATED


REVISIONS				
ZONE	REV	DESCRIPTION	DATE	APPROVED
	A	CONVERT TO BEC FORMAT	DMR 11-8-02	<i>ma</i>



DIMENSIONS HEREON ARE FOR CUSTOMER CONVENIENCE AND REFERENCE ONLY. TOLERANCE TO BE APPLIED ONLY WHERE INDIVIDUALLY STATED ON THE RESPECTIVE DIMENSION. -DO NOT SCALE DRAWING-

**NOTES:**

- ☒ 1. PART MUST BE BURR FREE.
- ☒ 2. CHAMFER 1st THREAD.
- ☒ 3. 63 MICROINCH UNLESS OTHERWISE SPECIFIED.
- ☐ 4. PER BPS \_\_\_\_\_.
- ☒ 5. .005 RADIUS ON ALL INSIDE & OUTSIDE CORNERS UNLESS OTHERWISE SPECIFIED.

UNLESS OTHERWISE SPECIFIED DIMENSIONS ARE IN INCHES TOLERANCES ARE:		MILLIMETERS .X= ±.4 .XX= ±.12		THIS DRAWING IS THE PROPERTY OF THE BIRD ELECTRONIC CORPORATION. THE DESIGNS AND SPECIFICATIONS DISCLOSED HEREON ARE PROPRIETARY AND SHALL NOT BE REPRODUCED, NOR COPIED, NOR USED AS THE BASIS FOR THE MANUFACTURE OR SALE OF APPARATUS OR DEVICES WITHOUT THEIR EXPRESS WRITTEN CONSENT.					
FRACTIONS DECIMALS ANGLES ± 1/64 .XX= ±.010 ± 30' .XXX= ±.005		DO NOT SCALE DRAWING		APPROVALS		DATE		TITLE	
MATERIAL		DRAWN		D.M.RINK		11-8-02		TERMINATION, N-TYPE MALE, 250W	
FINISH		CHECKED		APPROVED		1-13-03		SIZE B	
				<i>ma</i>		AUTOCAD		FSCM NO. 70998	
								DWG. NO. 250-CT-MN	
								REV A	
								SCALE 1:1	
								COMM CODE LD1	
								SHEET 1 OF 1	